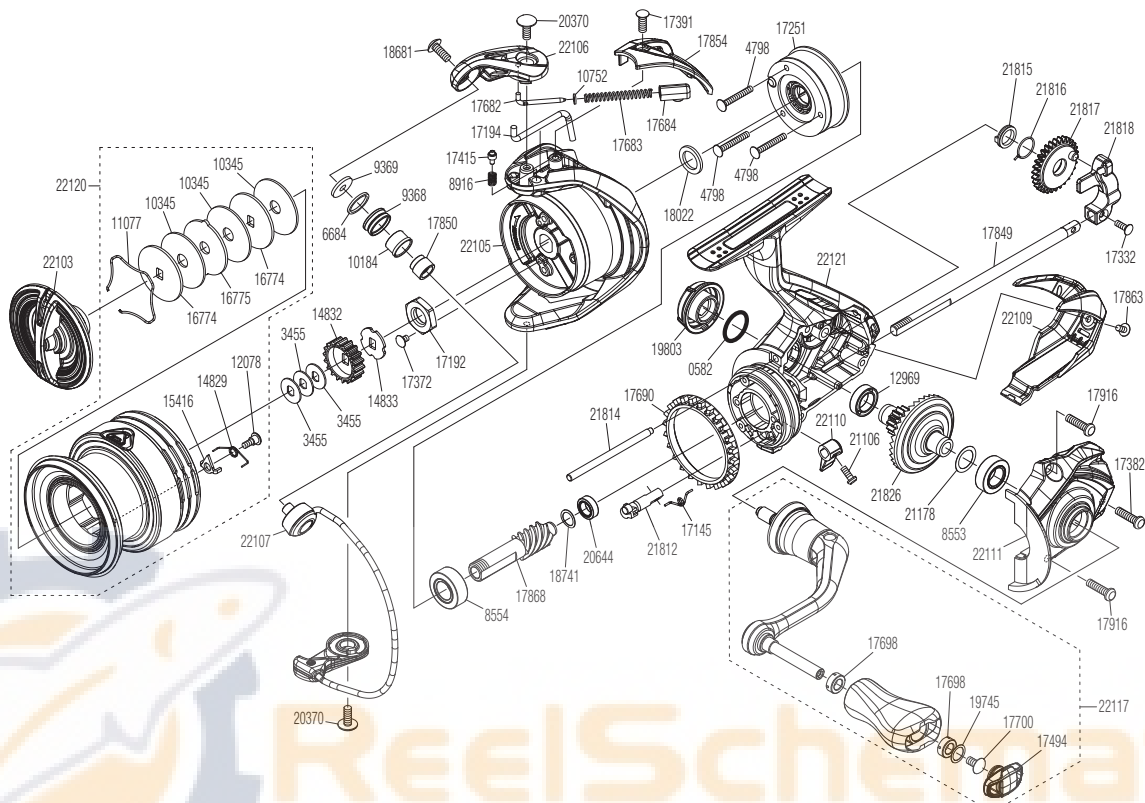


# SHIMANO

## SAHARA

## SH-C3000HG



Please note that the number of adjusting washers may not always be the same as shown in the exploded views.  
Please note that your actions take full responsibility when you take it apart.

(51SF579E36X)

Part No.	Description	Part No.	Description	Part No.	Description
RD 0582	O Ring	RD17391	Screw	RD21817	Oscillating Gear
RD 3455	Spool Washer	RD17415	Click Pin	RD21818	Oscillating Slider
RD 4798	Screw	RD17494	Handle Knob Seal	RD21826	Drive Gear
RD 6684	Spacer	RD17682	Bail Spring Guide A	RD22103	Drag Knob Assembly
RD 8553	Ball Bearing	RD17683	Bail Spring	RD22105	Rotor
RD 8554	Ball Bearing	RD17684	Bail Spring Guide B	RD22106	Bail Arm
RD 8916	Click Spring	RD17690	Friction Ring	RD22107	Bail Assembly
RD 9368	Line Roller	RD17698	Bushing	RD22109	Rear Protector
RD 9369	Washer	RD17700	Screw	RD22110	Anti Reverse Lever
RD10184	Bushing	RD17849	Main Shaft	RD22111	Side Cover
RD10345	Drag Washer	RD17850	Collar	RD22117	Handle Assembly
RD10752	Bail Spring Guide A Collar	RD17854	Bail Spring Cover	RD22120	Spool Assembly
RD11077	Retainer	RD17863	Screw	RD22121	Body Assembly
RD12078	Screw	RD17868	Pinion Gear		
RD12969	Ball Bearing	RD17916	Screw		
RD14829	Drag Click Spring	RD18022	Washer		
RD14832	Spool Support A	RD18681	Screw		
RD14833	Spool Support B	RD18741	Washer		
RD15416	Drag Click	RD19745	Washer		
RD16774	Key Washer	RD19803	Handle Screw Cap		
RD16775	Eared Washer	RD20370	Screw		
RD17145	Anti Reverse Cam Spring	RD20644	Ball Bearing		
RD17192	Rotor Nut	RD21106	Screw		
RD17194	Bail Trip Lever	RD21178	Washer		
RD17251	Roller Clutch Assembly	RD21812	Anti Reverse Cam		
RD17332	Screw	RD21814	Oscillating Guide		
RD17372	Screw	RD21815	Bushing		
RD17382	Screw	RD21816	Bushing Spring		